

Pendant&Surface CS3535

CS3535-W90

CS3535-W90

Basic Parameters

Application	Indoor
Material	AL6063-T5,spraying surface
IP Grade	IP20
Warranty	5 years

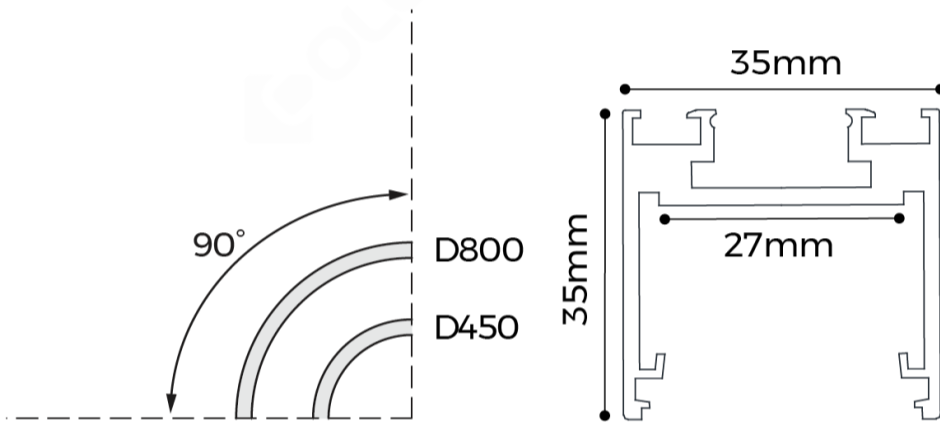
Electrical Parameters

Optical Parameters

Length	D450mm,D800mm
Luminous Efficacy	70LM/W



Dimensions

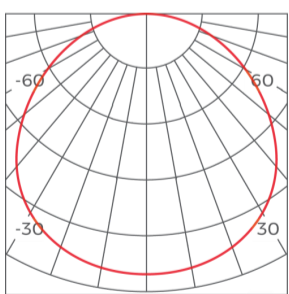


Luminaire Parameters

Version	Size(mm)	Power(W)	PCB Current(A)	CRI	CCT	Lumens(LM) @White, Silver	Lumens(LM) @Black
Regular	D450mm	6	0.25	>80	4000K	420	357
Regular	D800mm	12	0.5	>80	4000K	840	714
Regular	D450mm	6	0.25	>90	4000K	361	307
Regular	D800mm	12	0.5	>90	4000K	722	614

Light Distribution

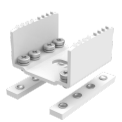
Regular-110°



h(m)	D(cm)	E(lx)
1	277	242
2	554	60
3	831	26
4	1108	14

Common Accessories

Splicing accessory



EX-E15

Applicable product model: CS3535/C E3535 Material process:SPCC/ Electro phoresis Size: L31.5*W30*H18mm Quantity: 1 PCS/SET Other:Includes mounting screws.

Dedicated light source



DA1682415

Applicable product model : AS3535/AH5060 Size: 5000*15*1.5mm Cutting Unit : 35.71mm Input Voltage : DC24V Typ.Power : 20W/M Typ.luminous flux: 756LM/M CCT:RGB CRI: / Other : 20# wire diameter, outer diameter 5mm, red-green-blue-white 4PIN transparent crystal cable



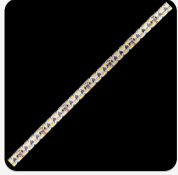
DMA1202415

Applicable product model : AS3535/AH5060 Size: 4000*15*1.5mm Cutting Unit : 50mm Input Voltage : DC24V Typ.Power : 25W/M Typ.luminous flux: 724LM/M CCT: RGB Control Mode:DMX CRI: / Other : 20# wire diameter, outer diameter 5mm, red-green-blue-white 4PIN transparent crystal cable



DS81602415

Applicable product model : AS3535/AH5060 Size: 5000*15*1.5mm Cutting Unit : 50mm Input Voltage : DC24V Typ.Power : 19.2W/M Typ.luminous flux: 2880LM/M CCT: 2700/3000/3500/4000/5000/6500K CRI: 80/90 Other : 18# wire diameter,PVC material, 2PIN red-black wire



DS83202415

Applicable product model:AS3535/AH5060 Size: 4000*15*1.5mm Cutting Unit:50mm/16LEDs Input Voltage:DC24V Typ.Power:38.4W/M(2700K+6500K) Typ.luminous flux: 2880LM/M@2700K CCT: 2700K+6500K CRI: 80/90 Other:Outer diameter 6mm,18# wire diameter, brown-blue-green 3PIN crystal wire

Cover



CV-CS3535D

Applicable product model:CS3535/CS3570/CE3535(suitable for down-lighting) Diffuser Nature: Diffuser Material process: silica gel flexible/frosting Light transmittance:≥55% Size: 20000*32*3.5mm Other: Fire protection rating UL94-V2; increased silicone oil on both sides (dustproof)

Controller



CR2-GBA

Product Name: CR2-GBA Input Voltage: 12-48V Output Current:8A*2CH,Max 16A Output Power:192W/384W@12V/24V , 384W/576W@36V/48V Dimming Mode: Two-color 2.4 remote control IP:IP20 Product Size:L175*W45*H27(mm)

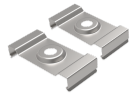
End cap accessory



EC-MS3535

Applicable product model: MS3535 Material process: aluminum/ powder spraying Size: L35*W35*H2.5mm Quantity:2PCS/ set

Installation accessory



CP-56

Applicable product model: Inward & Outward & Twist profile (CS3535/CS5035)
Installation method: Ceiling & Pendant
Material : SUS304
Size: 36.3*17*7.3mm
Quantity: 2 PCS/SET(with screws)
Note: The clips only for Inward & Outward & Twist profile



PB-09

Applicable product model: CS3535/CS5035/CS7035/CS3570/CS5070/CS7070
Installation method: pendant (Power box with wire)
Material process: SPCC/powder spraying
Maximum weight capacity: 8Kg
Size:
Power Box: L400*W55*H50mm
Wire: D3*2000mm
Quantity: 1PCS/ set
Note:
1. Including 1PCS Power Box+1PCS input wire; Power supply not included.
2. One power box holds one power supply
3. Need to order separate clip (CP-XX) to use with it



PB-10

Applicable product model: CS3535/CS5035/CS7035/CS3570/CS5070/CS7070
Installation method: pendant (Power box with rod)
Material process: SPCC/powder spraying
Size: Power Box: L400*W55*H50mm
Rod: 1-2 meter adjustable
Wire: D3*2000mm
Quantity: 1PCS/ set
Note:
1. Including 1PCS Power Box+1PCS input wire+1PCS rod; Power supply not included.
2. One power box holds one power supply
3. Need to order separate clip (CP-XX) to use with it



PP-A

Applicable product model: CS3535/CS5035/CS7035/CS3570/CS5070/CS7070
Installation method: pendant (Ceiling plate with wire)
Material process: Fe/powder spraying
Maximum weight capacity: 3Kg
Size: Ceiling Plate: D88*29mm/Wire: D3*2000mm
Open hole: D75mm
Quantity: 1PCS/ set
Note : 1. Including 1PCS Ceiling plate+2PCS springs+1PCS input wire. 2. One ceiling plate holds one power supply. 3. Need to order separate clip (CP-XX) to use with it.



PP-G

Applicable product model: CS3535/CS5035/CS7035/CS3570/CS5070/CS7070
Installation method: pendant (Ceiling plate with rod)
Material process: Fe/powder spraying
Maximum weight capacity: 3Kg
Size: Ceiling Plate: D88*29mm/Rod: 1-2 meter adjustable
Wire: D3*2000mm
Open hole: D75mm
Quantity: 1PCS/ set
Note : 1. Including 1PCS Ceiling plate+2PCS springs+1PCS input wire+1PCS rod. 2. One ceiling plate holds one power supply. 3. Need to order separate clip (CP-XX) to use with it.

CCT-Remote control



R7-1

Product Name: R7-1 Dual Color Remote
Working Voltage : 3VDC (Battery CR2032)
Operating Frequency: 2.4GHz
Remote Control Distance: 30 meters
Operating Temperature: -30°C~55°C
Product Size: L107*W58.5*H9(mm)

Power Supply



BK-DEV200-24V0D
 Applicable product model: General
 Dimming mode: DALI2,PUSH-dimming,1-10V 3in1 dimming
 Size: 361*33.1*22.8mm
 Input voltage: AC200-240V
 Operating frequency: 50/60Hz
 PF value: ≥0.9
 Output voltage: DC24V
 Output current: ≤8.3A
 Power: 200W
 Efficiency: 0.92
 Certification: TUV, CE, RCM
 Case material: Metal housing



BK-DGVX-24V0D
 ProductName: BK-DGV036-24V0D/BK-DGV060-24V0D/BK-DGV100-24V0D
 Applicable product model: General
 Output power: 36W/60W/100W
 Output current: ≤1.5A/≤2.5A/≤4.2A
 Product size: 245.0*30.0*21.0mm/285.0*30.0*21.0mm/355.0*30.0*21.0mm
 Input voltage: AC200-240V
 Operating frequency: 50/60Hz
 Output voltage: DC24V
 PF value: ≥0.9
 Efficiency: ≥0.88
 IP: IP20
 Dimming mode: DALI-2,PUSH-Dimming,1-10V 3in1 Dimming
 Certification: CE, ENEC, UKCA, RCM, CCC, EL
 Material: Metal housing
 Warranty: 5 years



BK-MEV200-24V0M
 Applicable product model: General
 Dimming mode: 1-10V Dimming
 Size: 321.5*48*30mm
 Input voltage: AC200-240V
 Operating frequency: 50/60Hz
 PF value: ≥0.9
 Output voltage: DC24V
 Output current: ≤8.3A
 Power: 200W
 Efficiency: 0.93
 Certification: CE, ENEC, UKCA, RCM, CCC, EL
 Case material: Metal housing



BK-MGVX-24V0M
 ProductName: BK-MGV036-24V0M/BK-MGV060-24V0M/BK-MGV100-24V0M
 Applicable product model: General
 Output power: 36W/60W/100W
 Output current: ≤1.5A/≤2.5A/≤4.2A
 Product size: 245.0*30.0*21.0mm/285.0*30.0*21.0mm/355.0*30.0*21.0mm
 Input voltage: AC200-240V
 Operating frequency: 50/60Hz
 Output voltage: DC24V
 PF value: ≥0.9
 Efficiency: ≥0.89
 IP: IP20
 Dimming mode: 1-10V Dimming
 Certification: TUV, CE, ENEC, RCM
 Material: Metal housing
 Warranty: 5 years



LF-GHYXH24
 Applicable product model: General
 Dimming mode: Non-Dimming
 Size: 316*30.7*22.8mm / 361*33.1*22.8mm
 Input voltage: AC220-240V
 Operating frequency: 50/60Hz
 PF value: ≥0.9
 Output voltage: DC24V
 Output current: ≤4.25A / ≤10A
 Power: 100W / 240W
 Efficiency: 0.92
 Certification: ENEC, CE, CB, RCM, UKCA, MM, CCC
 Case material: Plastic

Packing

QTY/CTN	N. WT (ctn)	G.WT (ctn)	Size (cm/carton)	Product Size (mm)
50	13.5	14.4	92*37.5*34	D450*35*35mm
30	14.4	15.6	66*62.5*34	D800*35*35mm